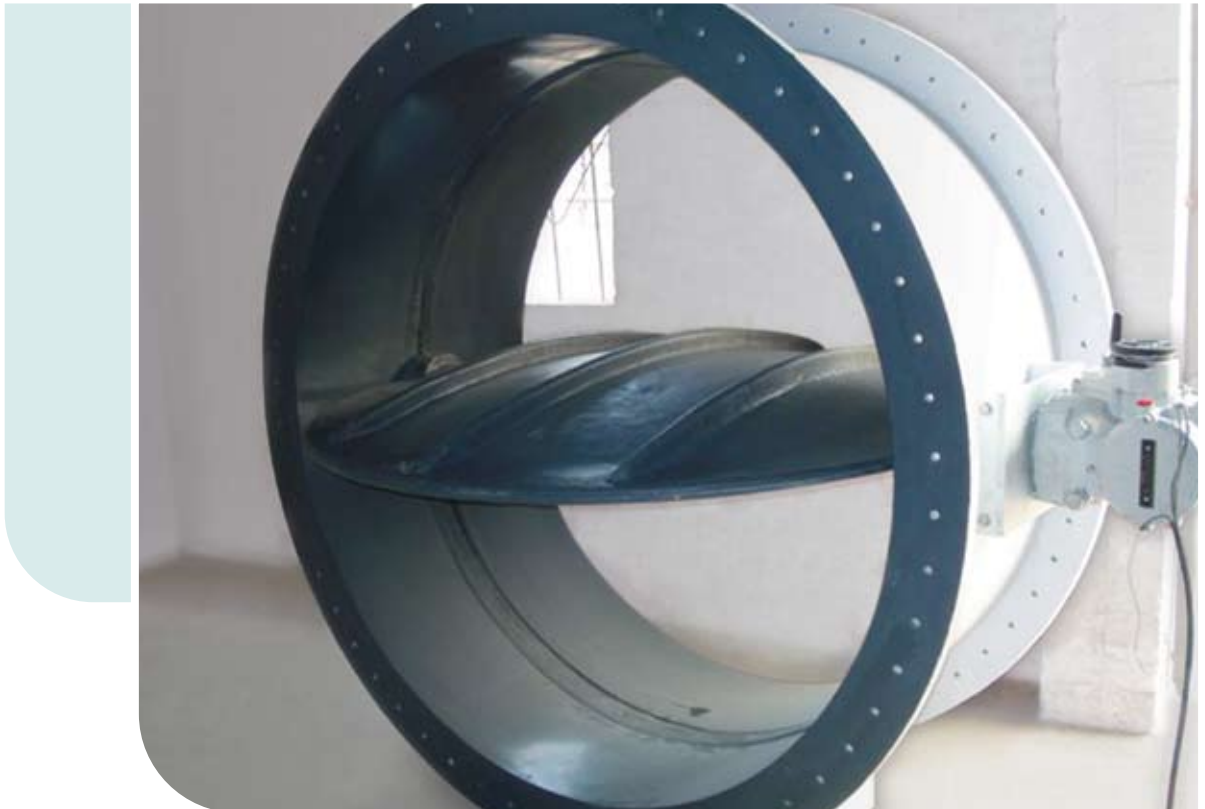




# Zero-Leak FRP Dampers



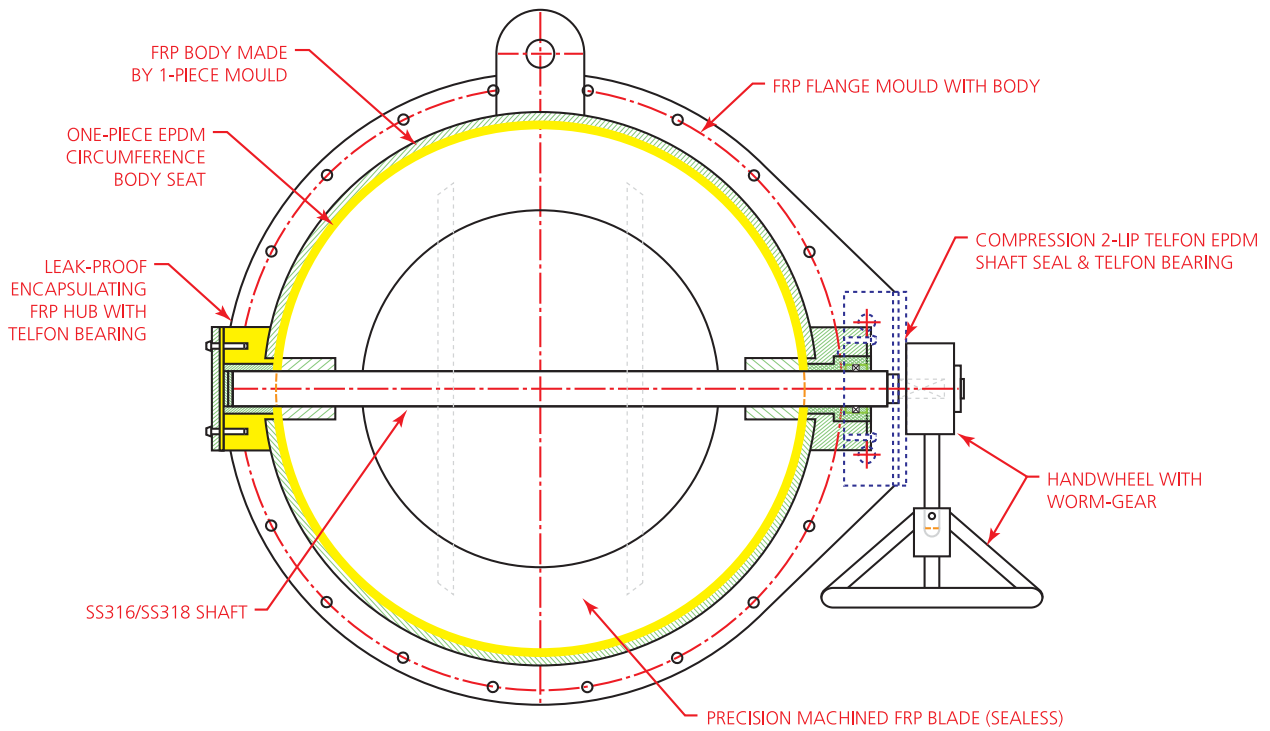
Aromatrix Zero-leak FRP dampers are designed to function both as an isolation valve and an air-regulating valve in a corrosive environment. Using only highly corrosive resistant materials in our construction, Aromatrix Zero-leak dampers give much longer service life compared to conventional butterfly dampers. Our Zero-leak dampers employ a molded FRP body with integral flanges, with a V-shaped groove for the embedding of a full-circumferential EPDM body seat. The FRP Blades are precision machined to provide a 'no-leak seal' on the body seat. The shaft is made of SS316 or SS31803 (Duplex) stainless steel, supported by long-life Teflon bearings on both ends. A Double-Lip Teflon-EPDM shaft

compression seal can be added to guarantee no gas leakage from the shaft end.

Aromatrix Zero-leak dampers of 16 inch diameter (400mm) are normally operated by SS316 hand-lever with locking quadrant. Larger diameter dampers will be equipped with a worm drive gearbox. Pneumatic or electric actuators can also be fitted as per client's request. Aromatrix Zero-leak dampers are all Gel-coated with ultraviolet inhibitor, and are suitable for outdoor applications.

Aromatrix Zero-leak dampers are factory tested in accordance with AMCA Standard 500-D.

# Standard Construction



Body & Flange	Vinyl ester resin (molded in 1-piece)
Blade & Stiffeners	Vinyl ester resin
Shaft	Stainless steel Grade 316 or 318
Bearing	Teflon
Shaft Seal	2-Lip seal made of Teflon-EPDM
Finish	Gel-coat, paraffinated with Ultraviolet inhibitor

## Worldwide Installations



▪ Enquiry : [sales@aromatrix.com.au](mailto:sales@aromatrix.com.au)

▪ Web-site : [www.aromatrix.com.au](http://www.aromatrix.com.au), [www.aromatrix.com.hk](http://www.aromatrix.com.hk)